

LIFEGARD II™

REDEFINING THE STANDARD IN CHANNELIZER DRUMS.... AGAIN !



Plastic Safety
Systems, Inc.



**NCHRP-350 Certified
FHWA Acceptance #WZ-54**

Lifeguard II Major New Features:

- **TWO ballasting methods available!** - Utilizes an internal snap-on molded rubber base or the **PSS patented** external tire collar.
- Over 20 years of Research & Development incorporated into the design and manufacturing of this channelizer drum.
- Innovative design allows users to attach and remove internal base with ease, yet reduces premature separation!
- Lifeguard II incorporates same patented break-away system as original Lifeguard.
- Designed with a flat section which serves as an anti-roll feature when separation occurs from impact.
- Protect your investment - Intermittent stacking rim helps protect sheeting bands while increasing drum durability.

NEW! Molded Rubber Base:

- Ribbed bottom for improved stability.
- Added Versatility - Center hole allows for use with PSS Navigator® & other 42" cones!
- Nesting feature
- Two carrying handles

Other Lifeguard II Features:

- Meets all applicable MUTCD specifications.
- Available with up to five bands of 6 inch sheeting.
- U.V. stabilized for longer life.
- Available in a flexible low density or impact resistant high density polyethylene.
- Intermittent stacking rim prevents overstacking & lock-up.

Top View



Bottom View



**Patented Tire Collar for
External Ballast!**

U.S. Patent No. 5,234,280 & Canadian
Patent No. 2,083,918

"On the Roadway For Safety"®

Copyright © 2002

REV. 04/02

Other Patents Pending

Plastic Safety Systems, Inc.
2444 Baldwin Road
Cleveland, Ohio 44104
Fax: 216-231-2702

800-662-6338 / 216-231-8590

plasticsafety.com

LIFEGARD II TM Cont'd...

REDEFINING THE STANDARD IN CHANNELIZER DRUMS.... AGAIN !

Set-up & Take-down Have Never Been Easier!



To set-up, simply align the drum over the base and press down firmly.



To take-down, place drum on its side then pull apart as shown above!

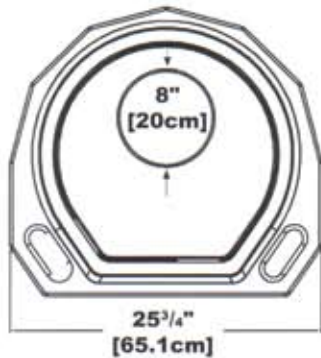


To set-up Lifeguard II with tire collar, place drum on its side and pull through tire collar as shown above!
To take-down unit, reverse process
- No heavy lifting!

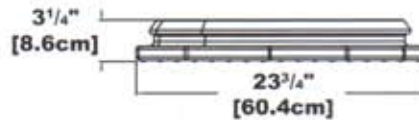
Lifeguard II Base Specifications:



Both Bases are 100% Recycled Rubber

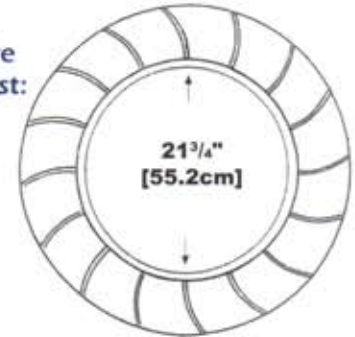


Internal Molded Rubber Ballast:



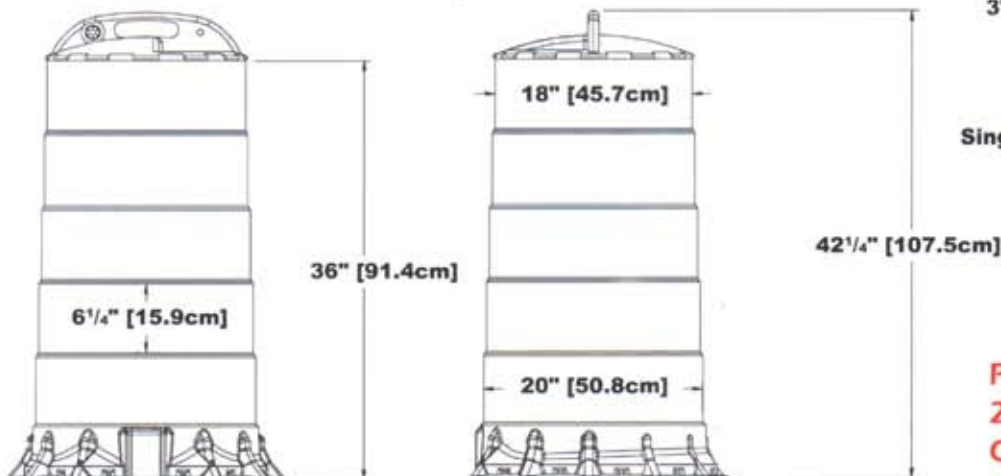
Approx. Weight = 40lbs. [18.2kg]

External Tire Collar Ballast:



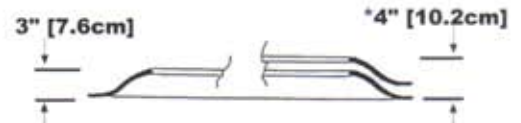
Lifeguard II Specifications:

* Meets or exceeds Federal M.U.T.C.D guidelines



Rubber Tire

Collar Cross Section:



Single Collar Approx. Weight = 25lbs. [11.4kg]
*Note - 2 Tire Collar Height is 4"

Plastic Safety Systems, Inc.
2444 Baldwin Road
Cleveland, Ohio 44104
Fax: 216-231-2702

800-662-6338 / 216-231-8590

plasticsafety.com

"On the Roadway For Safety"®